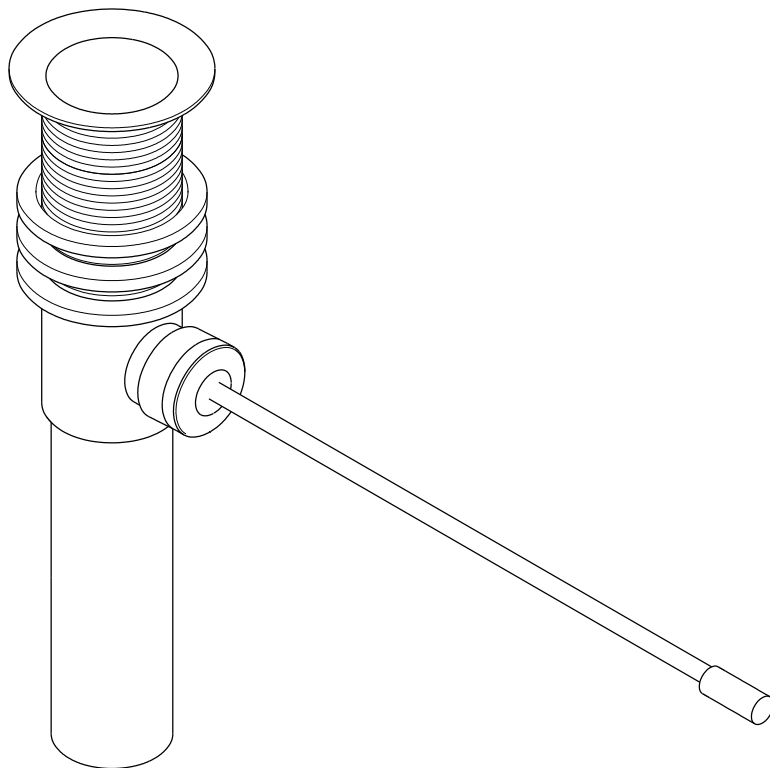


# ***KINGSTON BRASS***

**THE TRADITION OF FINE BRASS**



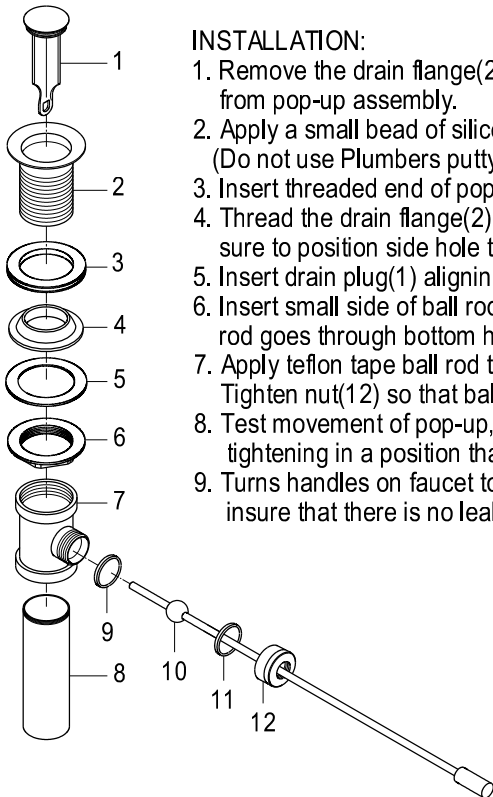
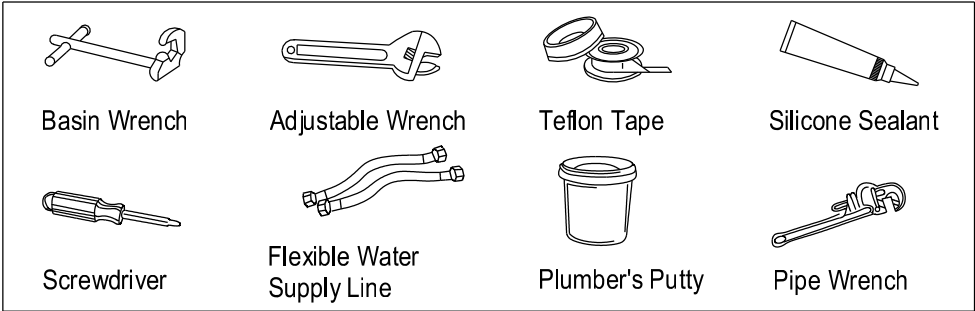
[www.kingstonbrass.com](http://www.kingstonbrass.com)

TOLL-FREE CUSTOMER SERVICE: 1-877-2-KBRASS

TECHNICAL SUPPORT E-mail: [service@kingstonbrass.com](mailto:service@kingstonbrass.com)

12775 Reservoir Street, Chino, CA91710

### INSTALLATION INSTRUCTIONS For Use With KB's Pop-Up



#### INSTALLATION:

1. Remove the drain flange(2) and drain plug(1) and rubber(3) from pop-up assembly.
2. Apply a small bead of silicone caulking (Do not use Plumbers putty) under drain flange.
3. Insert threaded end of pop-up assembly from underneath the sink.
4. Thread the drain flange(2) on top of pop-up assembly, making sure to position side hole towards the rear wall.
5. Insert drain plug(1) aligning the bottom hole with the side hole.
6. Insert small side of ball rod in side hole, making sure that the rod goes through bottom hole of drain plug.
7. Apply teflon tape ball rod thread connection. Tighten nut(12) so that ball rod(10) moves loosely, do not over tighten.
8. Test movement of pop-up, if necessary adjust by loosening tightening in a position that will give you smooth movement.
9. Turns handles on faucet to the full on position and inspect to insure that there is no leaking underneath lavatory.